

2G/3G/4G/5G Terminal Antenna

PWB-6-60-RSMAP



PWB-6-60-RSMAP

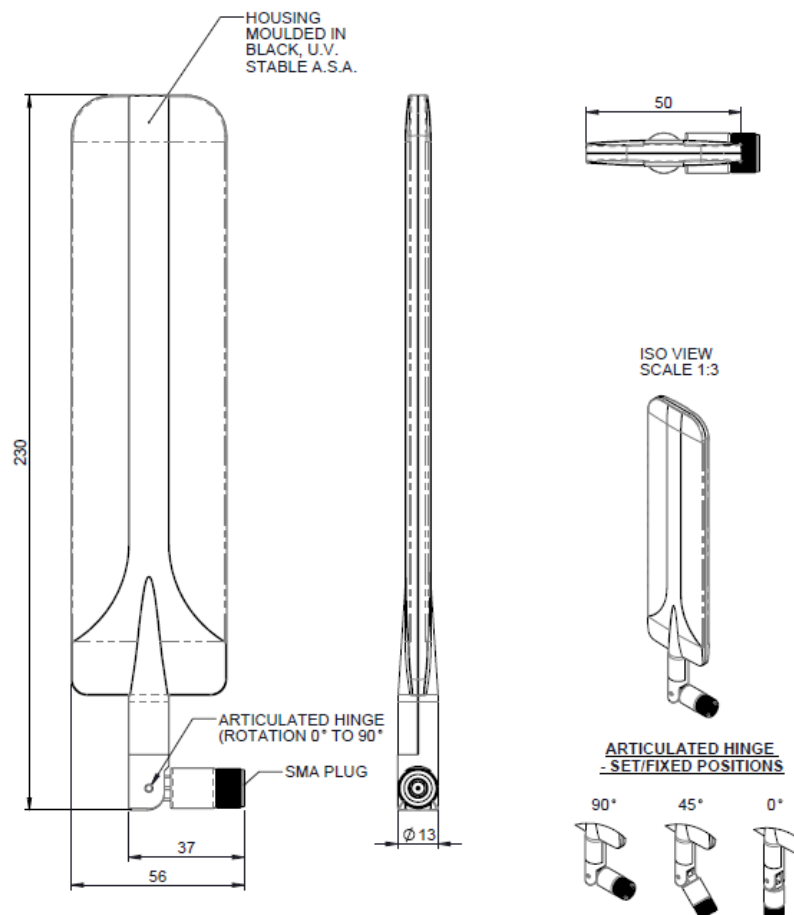
- Ultra Wide Band - 2G/3G/4G/5G
- Suitable for routers and terminals
- Articulated SMA connector

The PWB-6-60-RSMAP antenna is a ground plane independent antenna covering 617-960/1710-3800/4400-6000MHz.

Supporting 2G/3G/4G and new 5G bands the PWB-6-60-RSMAP is the ideal one-size-fits-all solution for next generation router and modem devices.

Designed for terminals and routers, the PWB-6-60-RSMAP features an articulated sma connector with 3 step locking to set optimum angle.

Technical Drawing



2G/3G/4G/5G Terminal Antenna

PWB-6-60-RSMAP

Product Data

Part No.

PWB-6-60-RSMAP

Electrical Data

Frequency Range (MHz)	617-960/1710-3800/4400-6000MHz	
Typical VSWR	<2.5:1	
Peak Gain: Isotropic+	698-960MHz	~2dBi
	1710-3800 MHz	~4dBi
	4400-6000GHz	~6dBi
Polarisation	Vertical	
Pattern	Omni-directional	
Impedance	50Ω	
Max Input Power (W)	10	

Mechanical Data

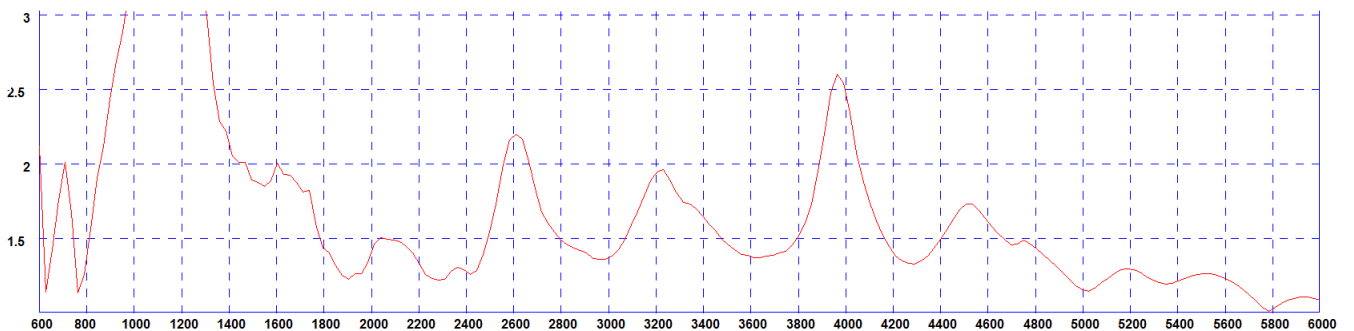
Dimensions (mm)	Length	230 (9.0")
	Width	50 (1.96")
	Thickness	13 (0.5")
Material	Black ABS	
Operating Temp (°C)	-22° / 158°F (-30° / +70°C)	
Weight (g)	50	

Termination Data

Type	Articulated SMA plug
------	----------------------

Electrical Data

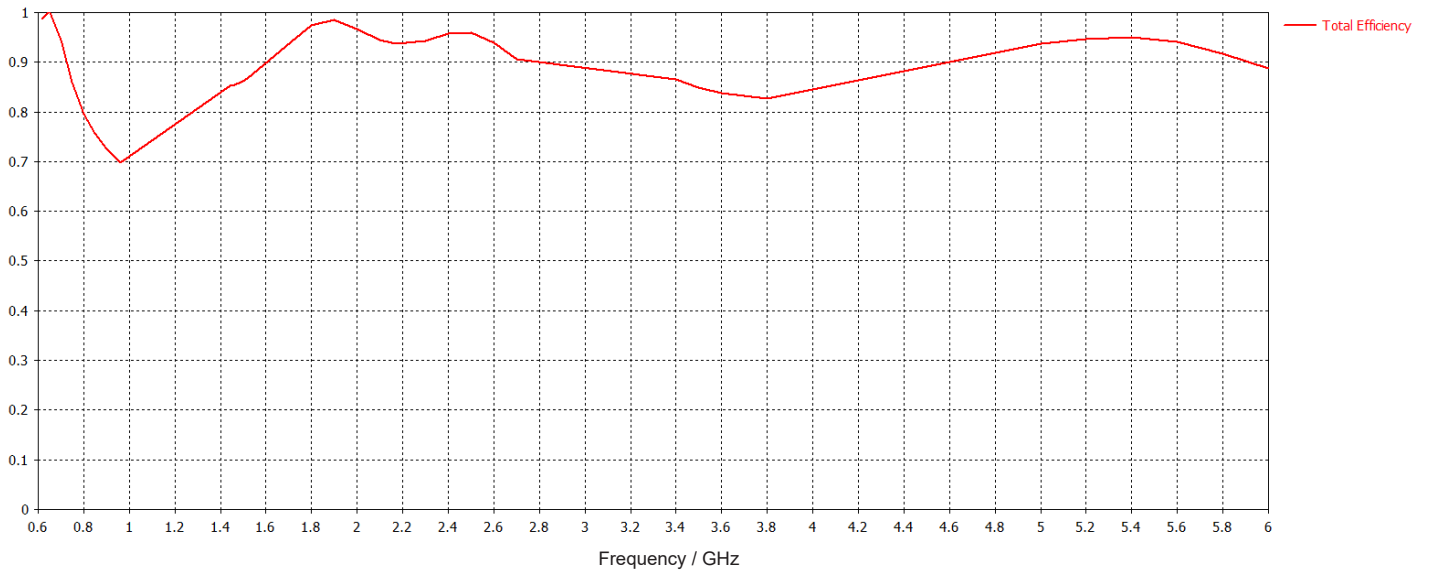
Typical VSWR*



* VSWR measured on typical router housing

Electrical Data

Total Efficiency [Magnitude]



Swept Peak Gain

